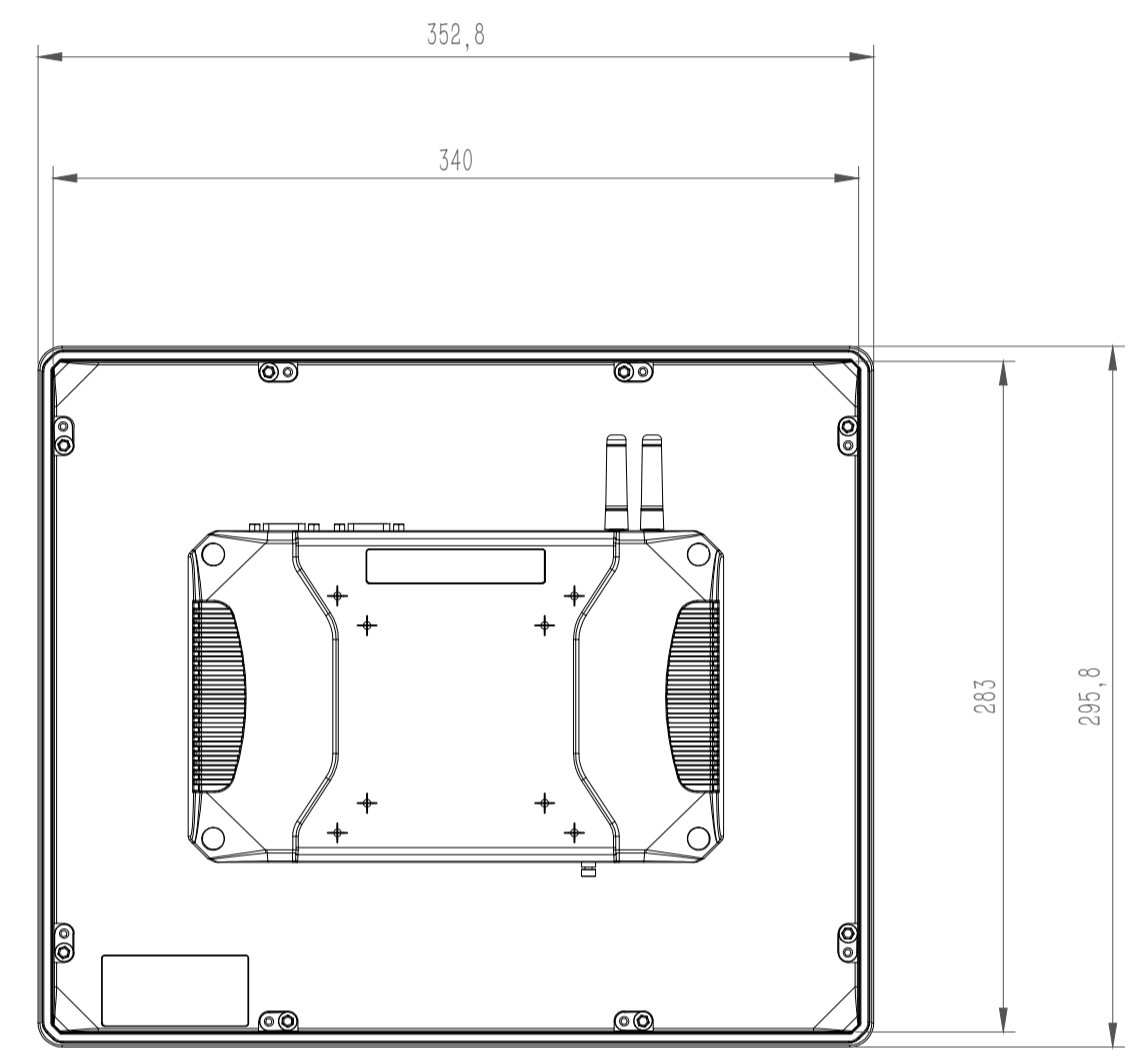
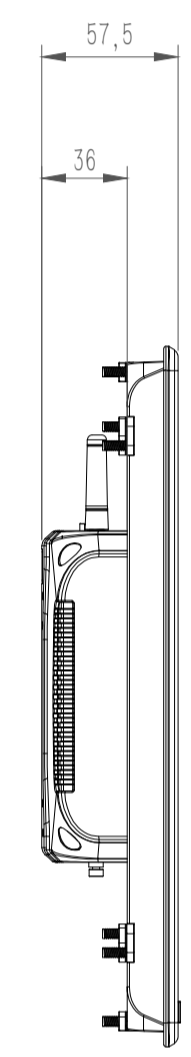
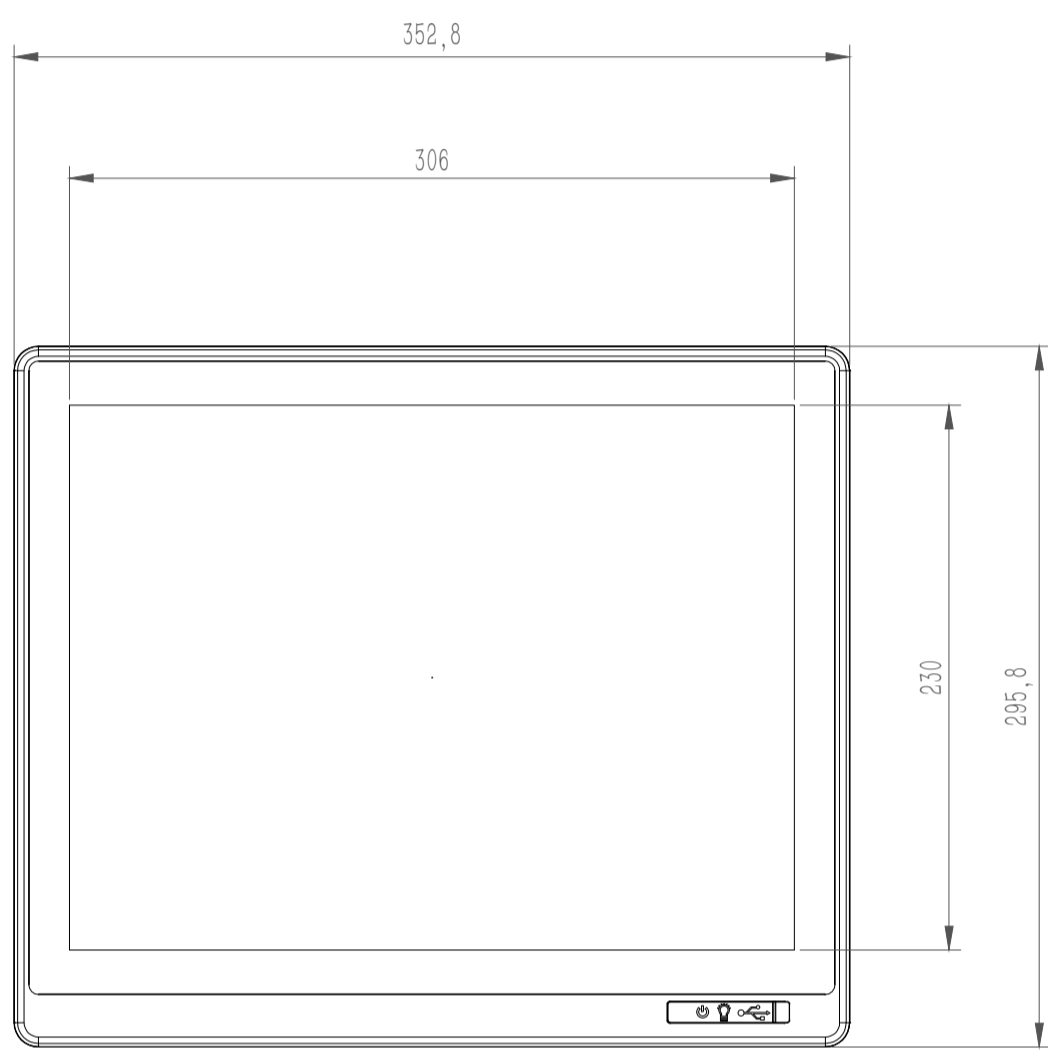
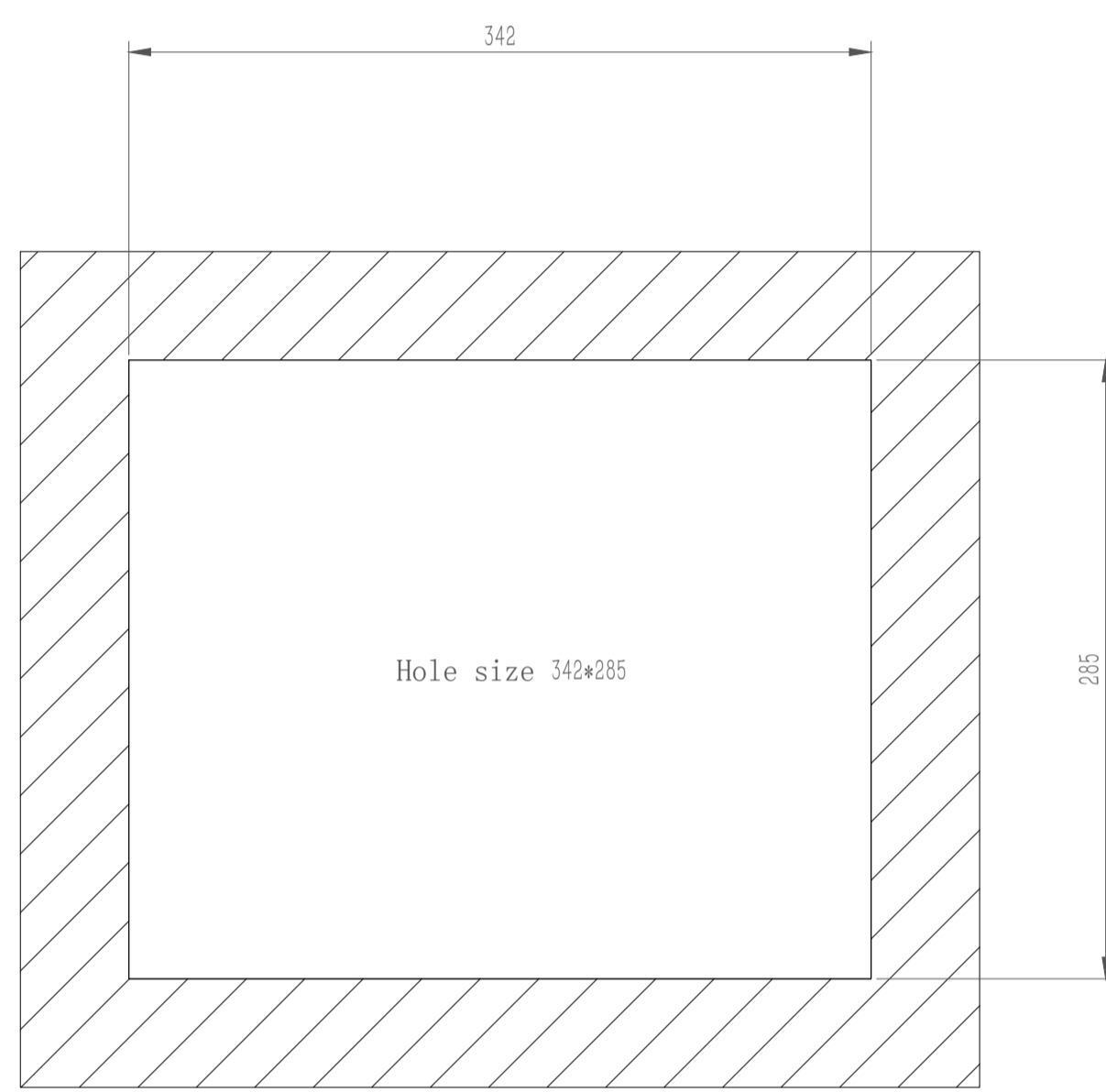


Rev.	Sym.	Q'TY	ICN/ECN NO	Changed by	Date
VI_0			the first release	Chen Shuai	2024-04-24

COMPANY CONFIDENTIAL

A
B
C
D
E
F

A
B
C
D
E
F



	Design	Chen Shuai	2024-04-24	Part Name			
	Check			Part No			
	Approve			Material	See Notes	Size: A0	Scale: 1:1
				Process	See Notes	Unit: mm	Sheet: 1 of 1

1 2 3 4 5 6 7 8